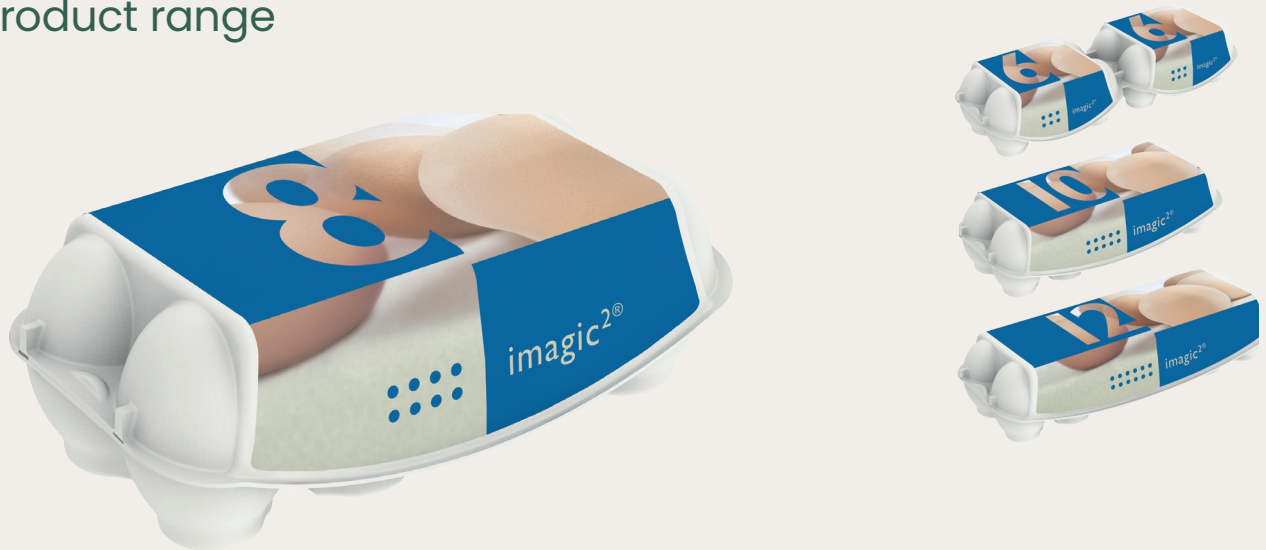


# 1x8 imagic<sup>2</sup>® E4108

## Product range



## Egg sizes

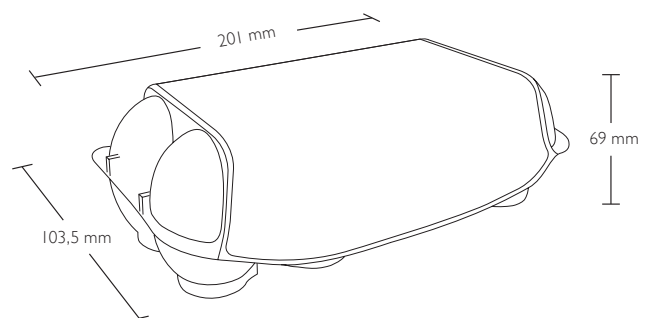
Our E4108 egg cell is constructed for weight classes S, M, L

## Product dimensions (closed) \*

Width: 103,5 mm

Height: 69 mm

Length: 201 mm



## Colours \*

Standard colours

71 sunflower yellow

68 grass green

20 stone grey

22 berry pink

Subject to changes.

# 1x8 imagic<sup>2</sup>® E4108

## Average product weight \*

With label: 34.2 g

## Quantities

Pallet: 44 one way

Units per bundle: 68

Units per pallet: 5,712

## Machine settings

**Moba Code: HA1802**

Gripper Set No.: 900

Denester settings:

L	G	J	II	I2
15	1	12	13	36

**Sime-Tek Code: 4108**

Denester settings:

A	B	C	D
205	0	140	138

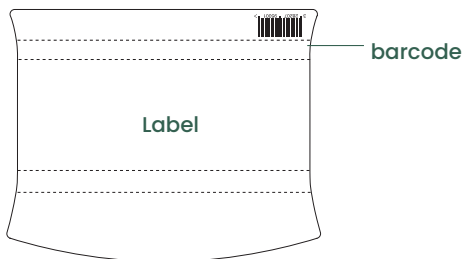
**Sanovo Code (Staalkat): HA-0050,  
back plate 71334 for the denester is needed**

**Disclaimer:** Please consult MOBA, SANOVO or SIME-TEK for confirmation of the machine settings

## Decorations

### Label:

CMYK and up to 2 spot colours on request



### Inlid print:

1-colour black



Modules for labels and print areas can be downloaded at [hartmann-packaging.com](http://hartmann-packaging.com)

## Certification



## Certification (optional)



\* Colours, weights and dimensions of the products may differ due to the nature of the material, moist variations, production variations, storage and transport conditions.