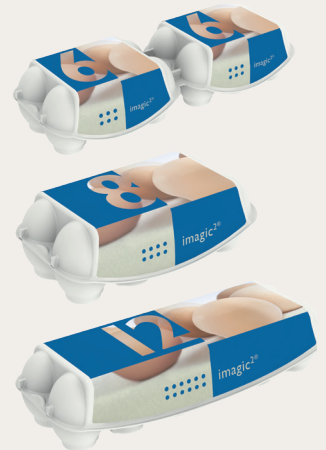


# 1x10 imagic<sup>2</sup>® E4210

## Product range

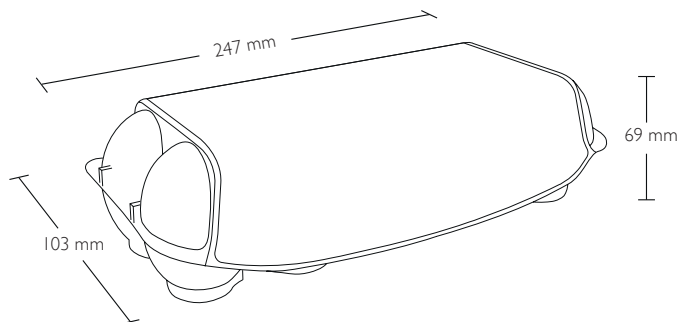


## Egg sizes

Our E4210 egg cell is constructed for weight classes S, M, L

## Product dimensions (closed) \*

Width: 103 mm  
 Height: 69 mm  
 Length: 247 mm



## Colours \*

Standard colours

21 honey yellow	71 sunflower yellow	06 sand beige	55 walnut brown	49 clay orange
78 leaf green	68 grass green	64 ocean blue	20 stone grey	34 sky blue
22 berry pink				

Subject to changes.

# 1x10 imagic<sup>2</sup>® E4210

## Average product weight \*

With label: 42.2 g

## Quantities

Pallet: 44A one way 80 one way UK  
 Units per bundle: 67 70  
 Units per pallet: 4,690 5,600

## Machine settings

**Moba Code: HA1008**

Gripper Set No.: 900

Denester settings:

L	G	J	ll	l2
15	12	26	13	36

**Sime-Tek Code: 4210**

Denester settings:

A	B	C	D
255	2	116	140

**Sanovo Code (Staalkat): HA-0048, back plate 71334 for the denester is needed**

**Disclaimer:** Please consult MOBA, SANOVO or SIME-TEK for confirmation of the machine settings

## Decorations

### Label:

CMYK and up to 2 spot colours on request



### Inlid print:

1-colour black



Modules for labels and print areas can be downloaded at [hartmann-packaging.com](http://hartmann-packaging.com)

## Certification



## Certification (optional)



\* Colours, weights and dimensions of the products may differ due to the nature of the material, moist variations, production variations, storage and transport conditions.