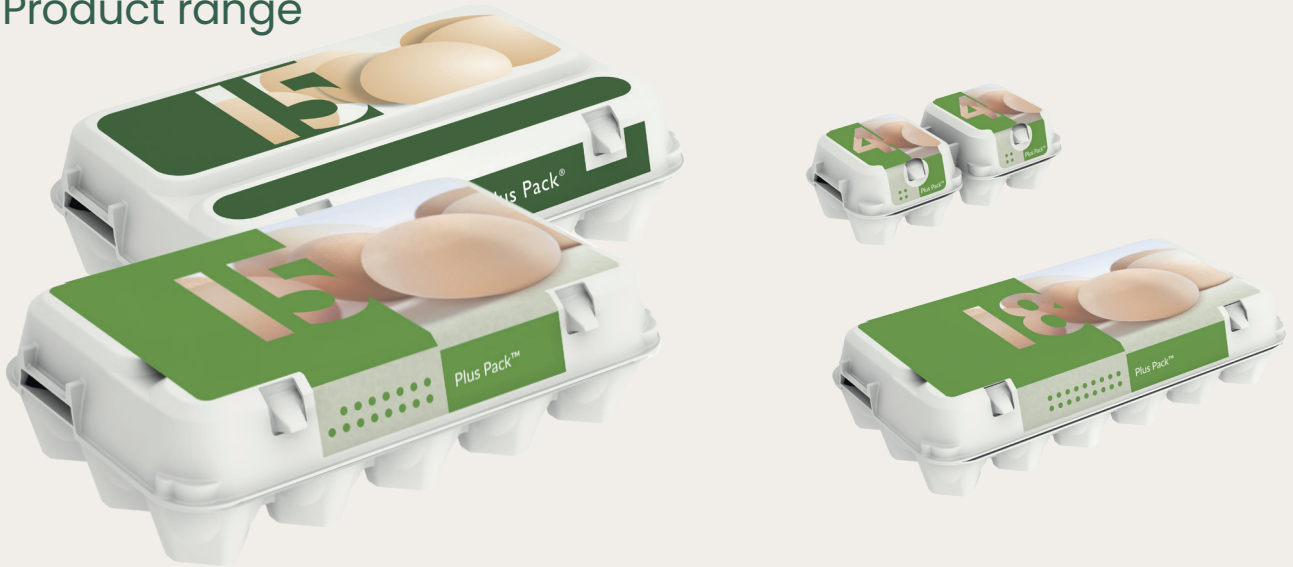


1x15 Plus Pack™ E5915

Product range

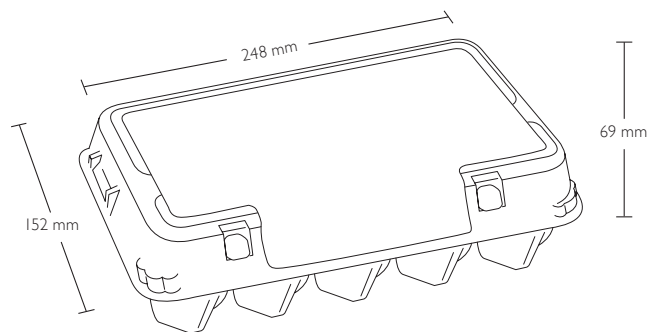


Egg sizes

Our E5915 egg cell is constructed for weight classes S, M, L

Product dimensions (closed) *

Width: 152 mm
Height: 69 mm
Length: 248 mm



Colours *

Standard colours

71 sunflower yellow

06 sand beige

78 leaf green

68 grass green

64 ocean blue

20 stone grey

Subject to changes.

1x15 Plus Pack™ E5915

Average product weight *

With label: 67.6 g
 With direct print: 64.8 g

Quantities

Pallet: 34 one way 79A one way UK
 Units per bundle: 50 59
 Units per pallet: 3,500 3,186

Machine settings

Moba Code: HA1501
 Gripper Set No.: 800
 Denester settings:

Sime-Tek Code: 5915

Denester settings:

L	G	J	ll	l2
39	13	27	14	37

A	B	C	D
250	4	115	135

Sanovo Code (Staalkat): HA-020

Disclaimer: Please consult MOBA, SANOVO or SIME-TEK for confirmation of the machine settings

Decorations

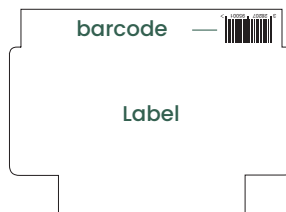
Direct print:

Top: 4-colour
 Front and rear: 2-colour



Label:

CMYK and up to 2 spot colours on request



Inlid print:

1-colour black



Modules for labels and print areas can be downloaded at hartmann-packaging.com

Certification



Certification (optional)



* Colours, weights and dimensions of the products may differ due to the nature of the material, moist variations, production variations, storage and transport conditions.