

2x4 imagic²® MAX E5008

Product range

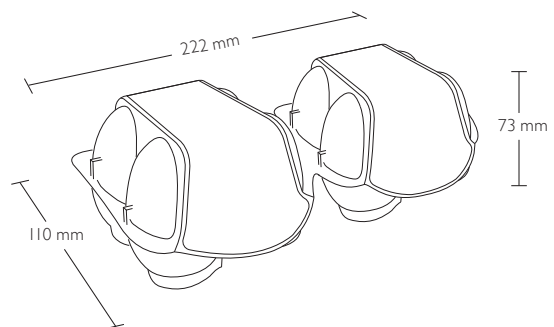


Egg sizes

Our E5008 egg cell is constructed for weight classes L, XL

Product dimensions (closed) *

Width: 110 mm
 Height: 73 mm
 Length: 222 mm



Colours *

Standard colours

71 sunflower yellow

06 sand beige

78 leaf green

68 grass green

64 ocean blue

20 stone grey

Subject to changes.

Hartmann Packaging A/S, Ørholmvej 57, 2800 Kongens Lyngby, Denmark
 Email: info@hartmann-packaging.com

2x4 imagic²® MAX E5008

Average product weight *

With label: 36.9 g

Quantities

Pallet: 44A one way

Units per bundle: 64

Units per pallet: 4,928

Machine settings

Moba Code: HA2404

Gripper Set No.: 900

Denester settings:

L	G	J	ll	l2
17	6	35	11	38

Sime-Tek Code: 5008

Denester settings:

A	B	C	D
230	2	128	140

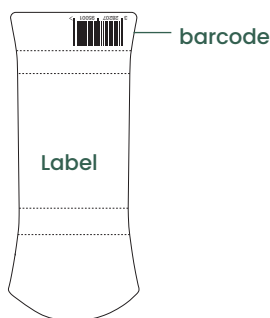
Sanovo-Code (Staalkat): HA-0053, back plate 71334 for the denester is needed

Disclaimer: Please consult MOBA, SANOVO or SIME-TEK for confirmation of the machine settings

Decorations

Label:

CMYK and up to 2 spot colours on request



Inlid print:

1-colour black



Modules for labels and print areas can be downloaded at hartmann-packaging.com

Certification



Certification (optional)



* Colours, weights and dimensions of the products may differ due to the nature of the material, moist variations, production variations, storage and transport conditions.