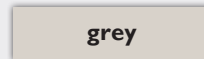


1x12 Hybrid R9012

Product

Colors***

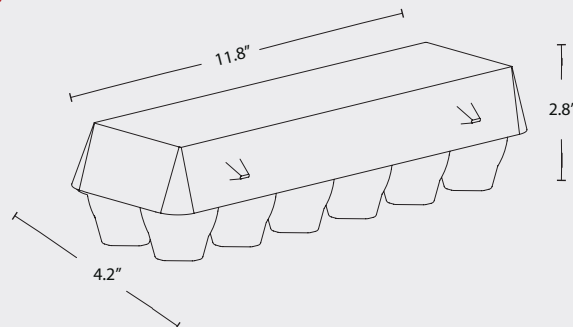
Standard color


Availability

 Grey Base
 White Paperboard
 Top

Egg Sizes

Our R9012 egg cell is constructed for weight classes S, M, L and XL.

Product Dimensions***


| | Length | Width (open) | Height (open) | Width (closed) | Height (closed) |
|--------------------------------|--------|-----------------|------------------|-------------------|--------------------|
| Millimeter-Measurements | 300 | 246 | 69 | 107 | 71 |
| Inches-Measurements | 11.8 | 9.7 | 2.7 | 4.2 | 2.8 |

1x12 Hybrid R9012

Average Dry Weight***

With direct print: 57.2 g 2 oz

Bundle Specs

| Cartons: 125 | Length | Width | Height | Direct print | |
|--------------------------------|--------|-------|--------|----------------------|----------|
| Millimeter-Measurements | 1016 | 246 | 300 | Bundle Weight | |
| Inches-Measurements | 40 | 9.7 | 11.8 | 7.2 kg | 15.8 lbs |

Machine Settings

ID-Moba: HA1212*

Separator: 146 (new plate)

Denester Settings

| L | G | J | II | I2 |
|----|----|---|----|----|
| 13 | 23 | 6 | 14 | 36 |

ID-Sanovo (Staalkat): HA-0060

Clamp Plates Assembly: Z332004

Program: 2

| BL | BR | GL | GR | A |
|----|----|----|----|----|
| F | F | 10 | 10 | 23 |
| B | C | K | L | M |
| 14 | 42 | 50 | 9 | 34 |

* Transport belts must be lowered approximately 4 mm

Print Parameters

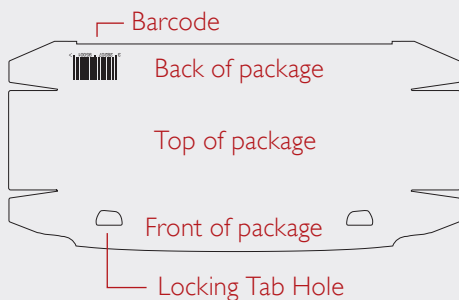
Label: Litho

4 colors (process print),
spot colors on request

Inlid Print: Litho

4 colors** (process print)

**at limited density



Dielines for labels and print areas can be downloaded at www.hartmann-packaging.com

*** Colours, weights and dimensions of the products may differ due to the nature of the material, moist variations, production variations, storage and transport conditions.