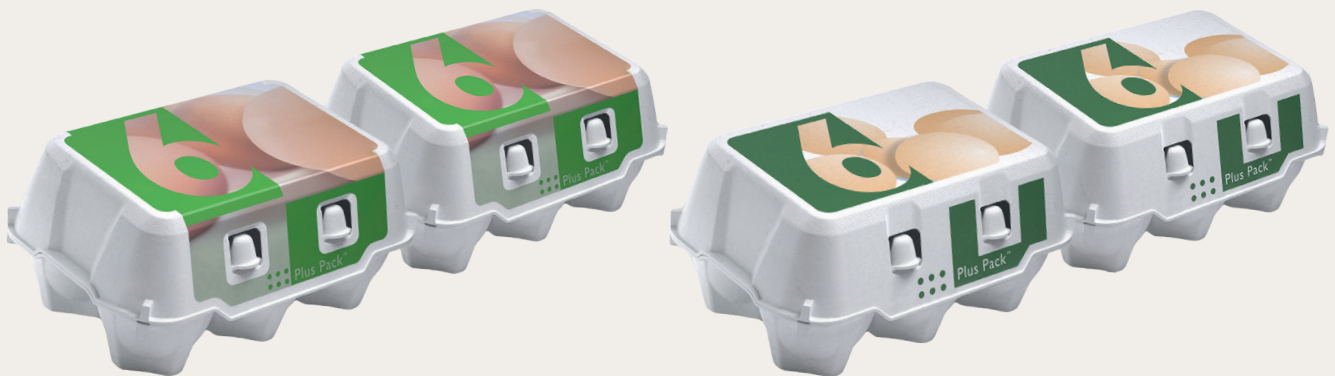


# 2x6 Plus Pack™ E3512

## Product range



Label

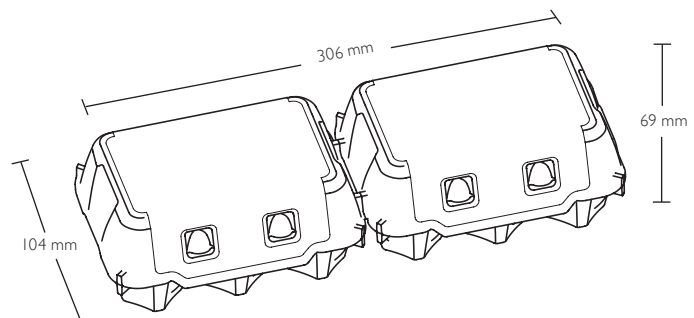
Direct print

## Egg sizes

Our E3512 egg cell is constructed for weight classes S, M, L

## Product dimensions (closed) \*

Width: 104 mm  
Height: 69 mm  
Length: 306 mm



## Colours \*

Standard colours

21 honey yellow

06 sand beige

78 leaf green

68 grass green

64 ocean blue

20 stone grey

Subject to changes.

## 2x6 Plus Pack™ E3512

### Average product weight \*

With label: 50.8 g  
 With direct print: 48.6 g

### Quantities

Pallet: 44A one way 79 one way UK  
 Units per bundle: 67 70  
 Units per pallet: 3.752 4.480

### Machine settings

**Moba Code: HA2611**  
 Gripper Set No.: 162  
 Denester settings:

L	G	J	ll	l2
12	28	5	12	36

**Sime-Tek Code: 3512**

Denester settings:

A	B	C	D
305	8	85	142

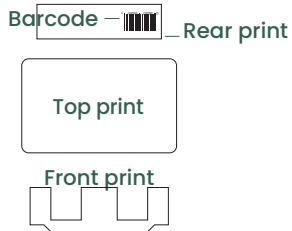
**Sanovo Code (Staalkat): HA-0063**

**Disclaimer:** Please consult MOBA, SANOVO or SIME-TEK for confirmation of the machine settings

## Decorations

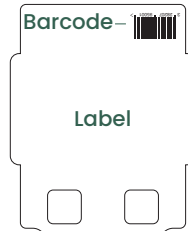
### Direct print:

Top: 4-colour  
 Front and rear: 2-colour



### Label:

CMYK and up to 2 spot colours on request



### Inlid print:

1-colour black



Modules for labels and print areas can be downloaded at [hartmann-packaging.com](http://hartmann-packaging.com)

## Certification



## Certification (optional)



\* Colours, weights and dimensions of the products may differ due to the nature of the material, moist variations, production variations, storage and transport conditions.