

2x4 Plus Pack™ E6608

Product range



Egg sizes

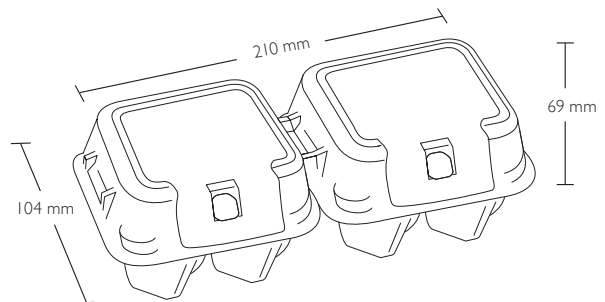
Our E6608 egg cell is constructed for weight classes S, M, L

Product dimensions (closed) *

Width: 104 mm

Height: 69 mm

Length: 210 mm



Colours *

Standard colours

21 honey yellow

78 leaf green

64 ocean blue

20 stone grey

Subject to changes.

2x4 Plus Pack™ E6608

Average product weight *

With label: 38.0 g
 With direct print: 36.8 g

Quantities

Pallet: 44A one way 79 one way UK
 Units per bundle: 59 210
 Units per pallet: 4,543 5,040

Machine settings

Moba Code: H060DK
 Gripper Set No.: 890
 Denester settings:

Sime-Tek Code: 6608

Denester settings:

L	G	J	II	I2
15	3	5	13	37

A	B	C	D
210	5	137	136

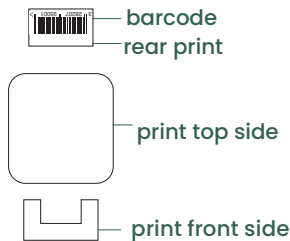
Sanovo-Code (Staalkat): HA-027

Disclaimer: Please consult MOBA, SANOVO or SIME-TEK for confirmation of the machine settings

Decorations

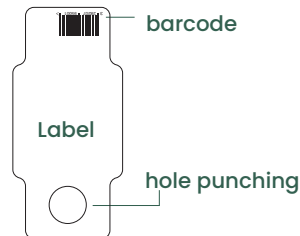
Direct print:

Top: 4-colour
 Front and rear: 2-colour



Label:

CMYK and up to 2 spot colours on request



Inlid print:

1-colour black



Modules for labels and print areas can be downloaded at hartmann-packaging.com

Certification



Certification (optional)



* Colours, weights and dimensions of the products may differ due to the nature of the material, moist variations, production variations, storage and transport conditions.