

1x10 Fresh Pack™ E3810

Product range

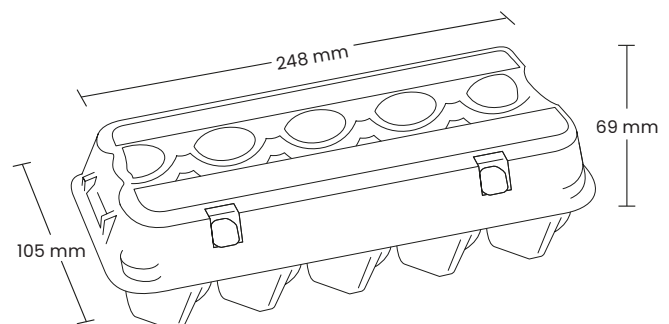


Egg sizes

Our E3810 egg cell is constructed for weight classes S, M, L

Product dimensions (closed) *

Width: 105 mm
Height: 69 mm
Length: 248 mm



Colours *

Standard colours

06 sand beige

78 leaf green

20 stone grey

Subject to changes

1x10 Fresh Pack™ E3810

Average product weight *

With direct print: 44.4 g

Quantities

Pallet: 44A one way
 Units per bundle: 56
 Units per pallet: 5,040

Machine settings

Moba-Code: HA1006
 Gripper Set No.: 802
 Denester settings:

Sime-Tek Code: 3810

Denester settings:

L	G	J	II	I2
13	12	27	14	36

A	B	C	D
250	4	88	142

Sanovo Code (Staalkat): HA-011

Disclaimer: Please consult MOBA, SANOVO or SIME-TEK for confirmation of the machine settings

Decorations

Direct print:

Top: 4-colour
 Front and rear: 2-colour

Label:

CMYK and up to 2 spot colours on request

Outside print area



Modules for print areas can be downloaded at hartmann-packaging.com

Certification



Certification (optional)



* Colours, weights and dimensions of the products may differ due to the nature of the material, moist variations, production variations, storage and transport conditions.