

1x10 imagic²® MAX E4410

Product range

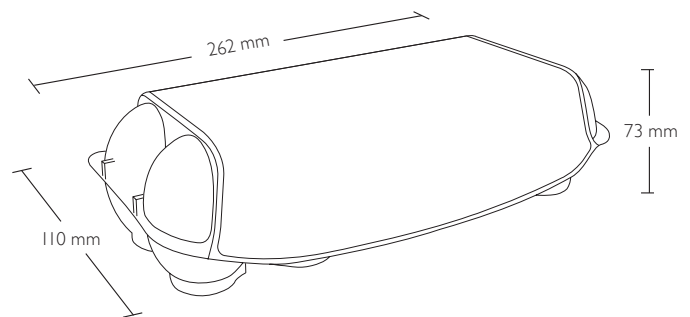


Egg sizes

Our E4410 egg cell is constructed for weight class XL (73–90 g)

Product dimensions (closed) *

Width: 110 mm
 Height: 73 mm
 Length: 262 mm



Colours *

Standard colours	21 honey yellow	71 sunflower yellow	06 sand beige	55 walnut brown	49 clay orange
	78 leaf green	68 grass green	64 ocean blue	20 stone grey	

Subject to changes.

1x10 imagic²® MAX E4410

Average product weight *

With label: 50.7 g

Quantities

Pallet:	44A one way	80one way UK
Units per bundle:	65	70
Units per pallet:	4,095	5,040

Machine settings

Moba Code: HA1009

Gripper Set No.: 900

Denester settings:

<u>L</u>	<u>G</u>	<u>J</u>	<u>ll</u>	<u>l2</u>
17	15	26	10	40

Sime-Tek Code: 4410

Denester settings:

<u>A</u>	<u>B</u>	<u>C</u>	<u>D</u>
270	0	106	142

**Sanovo Code (Staalkat): HA-0057
(identical with HA-041), back plate
71334 for the denester is needed**

Disclaimer: Please consult MOBA, SANOVO or SIME-TEK for confirmation of the machine settings

Decorations

Label:

CMYK and up to 2 spot colours on request



Inlid print:

1-colour black



Modules for labels and print areas can be downloaded at hartmann-packaging.com

Certification



Certification (optional)



* Colours, weights and dimensions of the products may differ due to the nature of the material, moist variations, production variations, storage and transport conditions.