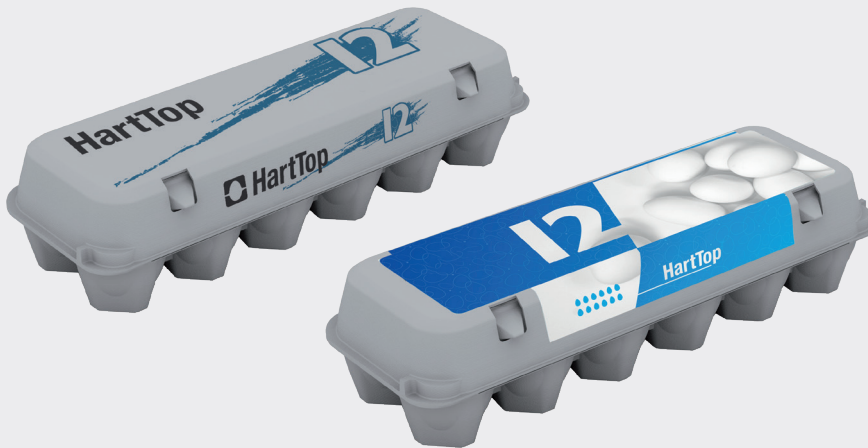
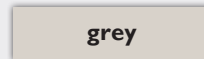


1x12 HartTop R8512

Product

Colors*

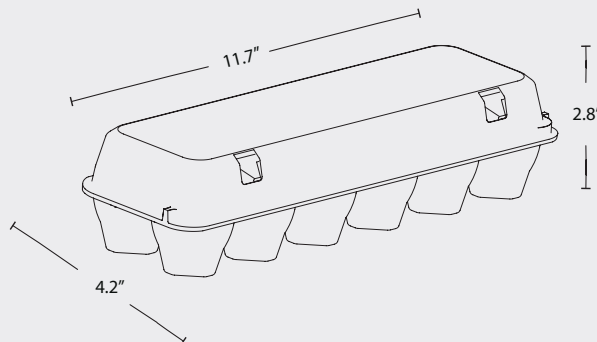
Standard color


Availability

 Direct print
Label

Egg Sizes

Our R8512 egg cell is constructed for weight classes S, M, L and XL.

Product Dimensions*


	Length	Width (open)	Height (open)	Width (closed)	Height (closed)
Millimeter- Measurements	297	246	71	107	71
Inches- Measurements	11.7	9.7	2.8	4.2	2.8

1x12 HartTop R8512

Average Dry Weight*

With direct print: 54 g 1.9 oz With label: 57.2 g 2 oz

Bundle Specs

Cartons: 125	Length	Width	Height	Direct print	Label
Millimeter-Measurements	1016	246	297	Bundle Weight	Bundle Weight
Inches-Measurements	40	9.7	11.7	6.8 kg 14.9 lbs	7.2 kg 15.8 lbs

Machine Settings

Moba Code: HAI204

Gripper Set No.: 802

Denester Settings

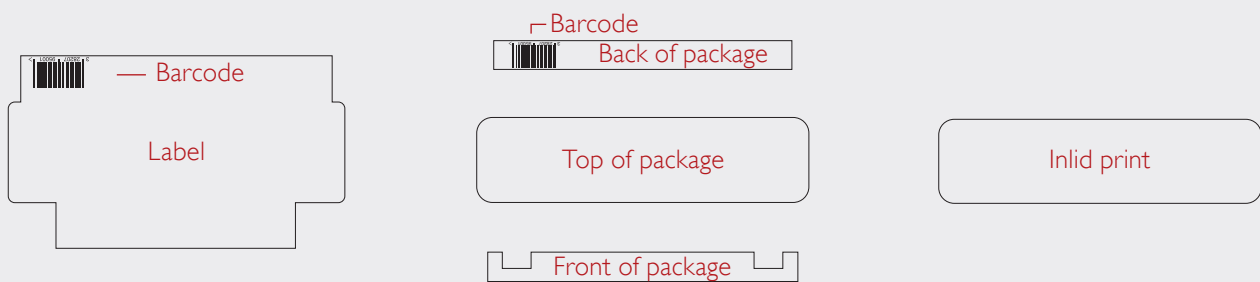
L	G	J	II	I2
13	23	6	14	36

Print Parameters

Label:
CMYK and up to 2 spot colours on request

Direct print:
Top: 4-colour
Front and rear: 2-colour

Inlid print:
1-colour black



Modules for labels and print areas can be downloaded at www.hartmann-packaging.com

*Colours, weights and dimensions of the products may differ due to the nature of the material, moist variations, production variations, storage and transport conditions.