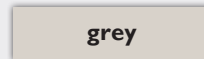


1x18 Hybrid R2A18

Product

Colors*

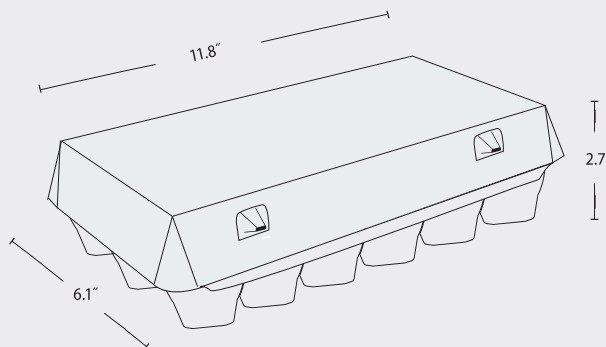
Standard color


Availability

 Grey Base
 White Paperboard
 Top

Egg Sizes

Our R2A18 egg cell is constructed for weight classes S, M, L and XL.

Product Dimensions*


	Length	Width (open)	Height (open)	Width (closed)	Height (closed)
Millimeter-Measurements	300	351	68	154	69
Inches-Measurements	11.8	13.8	2.7	6.1	2.7

1x18 Hybrid R2A18

Average Dry Weight*

With direct print: 89.0 g 3.14 oz

Bundle Specs

Cartons: 100	Length	Width	Height	Direct print
Millimeter-Measurements	1041	351	305	Bundle Weight 8.9 kg 19.6 lbs
Inches-Measurements	41	13.8	12.0	

Machine Settings

ID-Moba: HA1804

Separator: 146 (new plate)

Denester Settings

L	G	J	II	I2
13	23	6	14	36

ID-Sanovo (Staalkat): HA-0065

Print Parameters

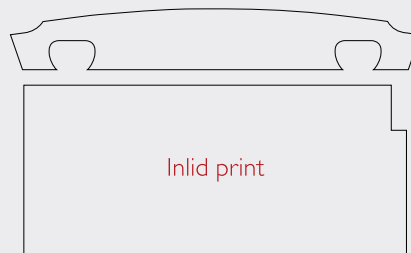
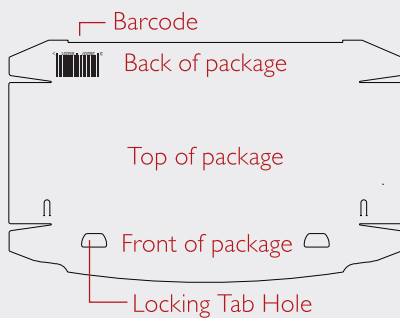
Label: Litho

4 colors (process print),
spot colors on request

Inlid Print: Litho

4 colors** (process print)

**at limited density



Dielines for labels and print areas can be downloaded at www.hartmann-packaging.com

*Colours, weights and dimensions of the products may differ due to the nature of the material, moist variations, production variations, storage and transport conditions.