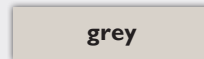


1x12 HartVue Jumbo R8712

Product

Colors*

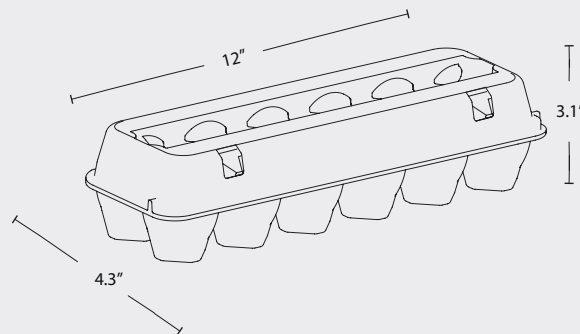
Standard color


Availability

 Direct print
Label

Egg Sizes

Our R8712 egg cell is constructed for weight class Jumbo.

Product Dimensions*


	Length	Width (open)	Height (open)	Width (closed)	Height (closed)
Millimeter- Measurements	305	259	58	109	79
Inches- Measurements	12	10.2	2.3	4.3	3.1

1x12 HartVue Jumbo R8712

Average Dry Weight*

With direct print: 61 g 2.2 oz

Bundle Specs

Cartons: 125	Length	Width	Height	Direct print Bundle Weight 7.6 kg 16.8 lbs
Millimeter-Measurements	1016	259	305	
Inches-Measurements	40	10.2	12	

Machine Settings

Moba Code: HAI801

Gripper Set No.: 912

Denester Settings

L	G	J	II	I2
17	26	6	14	36

Print Parameters

Direct print:

Top: 4-colour

Front and rear: 2-colour

Inlid print:

I-colour black

Barcode



Back of package

Top of package

Top of package

Front of package

Modules for labels and print areas can be downloaded at www.hartmann-packaging.com

**Colours, weights and dimensions of the products may differ due to the nature of the material, moist variations, production variations, storage and transport conditions.*